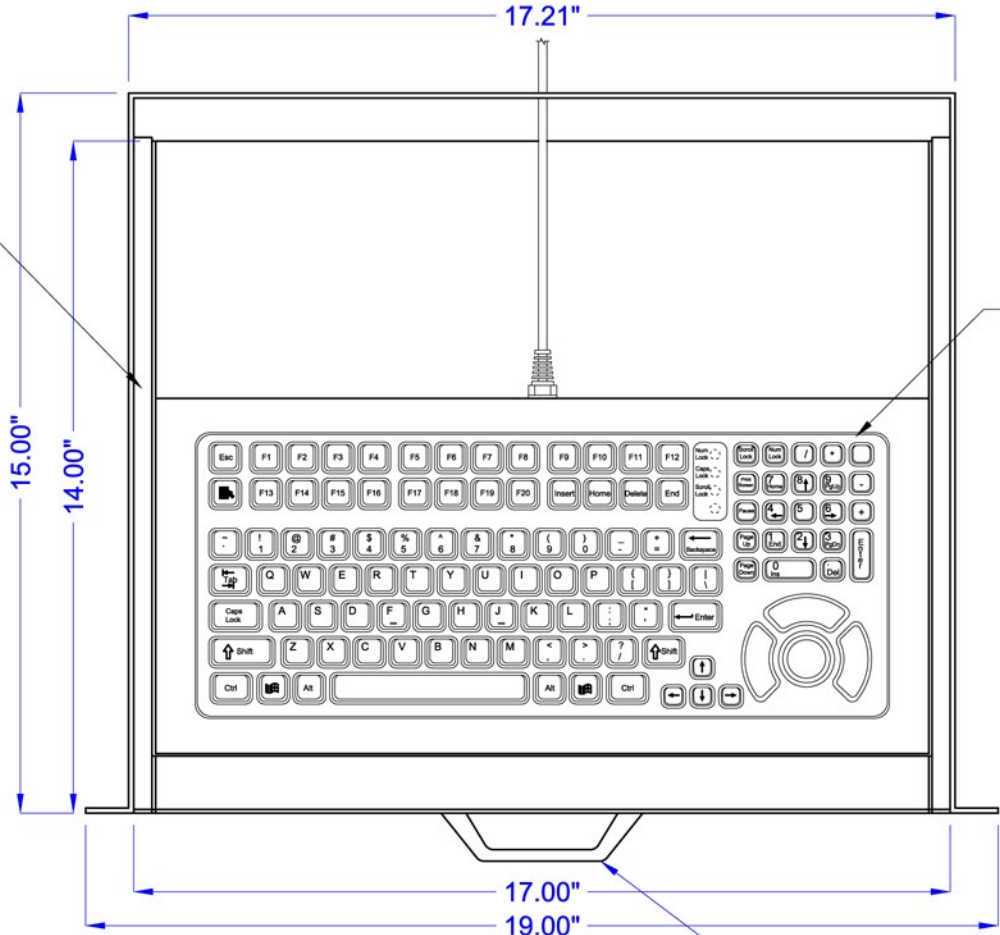


2 Piece, 12"  
Steel Ball Bearing  
Drawer Slides



Keyboard and Pointer Interface Cable  
Cabling options:

- 1) Keyboard: 5 pin Din  
Pointer: DB-9
- 2) Keyboard: PS/2 (6-pin mini-din)  
Pointer: PS/2 (6-pin mini-din)
- 3) Keyboard & Pointer: single USB

**KEY SWITCH**

MATERIAL: Industrial Silicone Rubber  
LIFE: Greater Than 10 Million Cycles  
TRAVEL: 0.055 in.  
ACTUATION FORCE: 7.03 oz. +/- 0.70 oz (200g +/- 20g)  
FEEDBACK: Tactile with Mechanical Snap

**POWER**

PS2 or AT/Serial:  
KEYBOARD: 50mA@5V (from Keyboard port)  
POINTER: 35mA@5V (from Mouse port)  
USB: 85mA@5V (from CPU port)

**VIBRATION**

POWER SPECTRAL DENSITY: .04g/HZ  
FREQUENCY RANGE: 20Hz-2KHz  
DURATION OF TEST PER AXIS: 3 hours

**SHOCK**

3 X 11 ms pulses of 50g on each of 3 axis

**WEIGHT**

12.50 lbs +/- 0.10 lbs (5.67 kg +/- 0.05 kg)

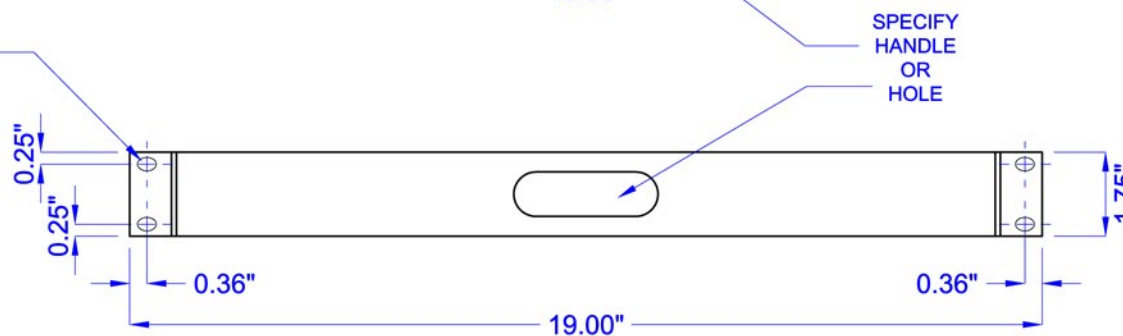
**TEMPERATURE RANGE**

STORAGE: -40°F to +158°F (-40°C to +70°C)  
OPERATING: -4°F to +140°F (-20°C to +60°C)

**HUMIDITY**

100% Humidity Resistant

Mounting Slots  
0.40" x 0.28"  
(4 Places)



SPECIFY  
HANDLE  
OR  
HOLE

SCALE: 1:4