

5000-RDC-FSR

2 Piece, 12"
Steel Ball Bearing
Drawer Slides

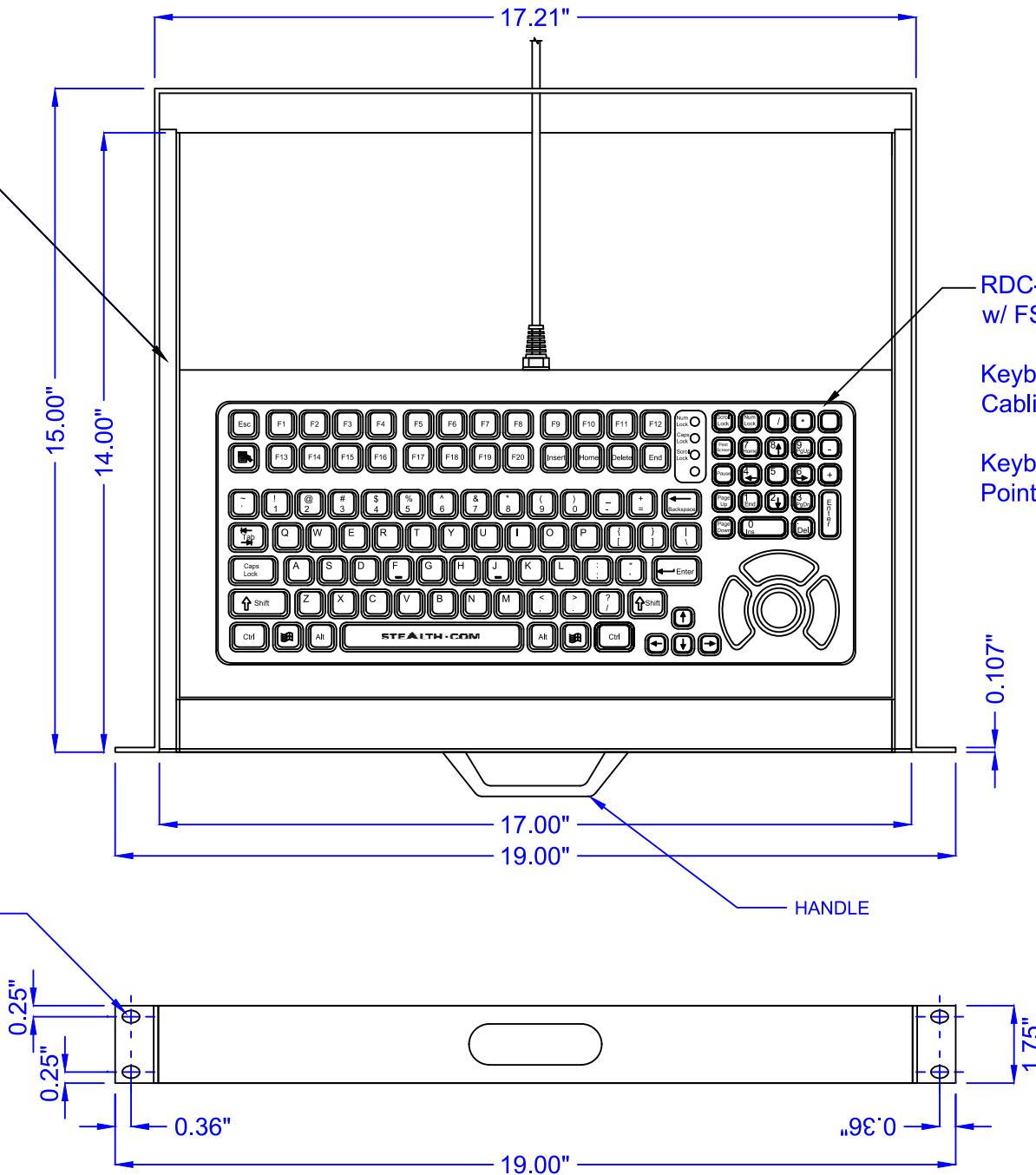
RDC-5K Keyboard
w/ FSR pointing device

Keyboard and Pointer Interface Cable
Cabling:

Keyboard: PS/2 (6-pin mini-din)
Pointer: PS/2 (6-pin mini-din)

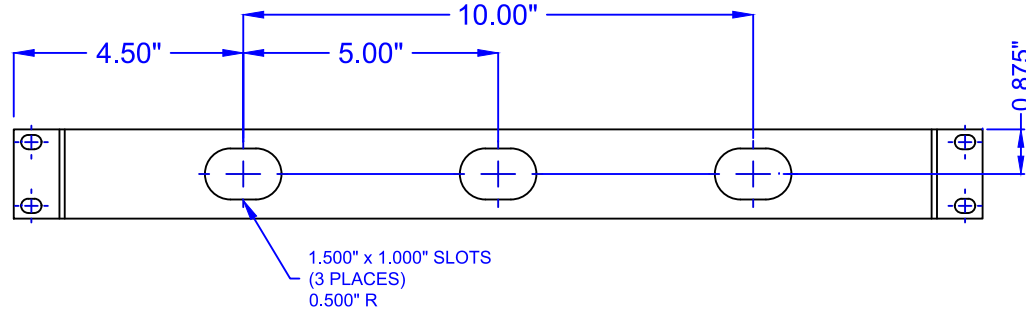
Mounting Slots
0.40" x 0.28"
(4 Places)

HANDLE



5000-RDC-FSR

VIEW FROM THE REAR



KEY SWITCH

MATERIAL: Industrial Silicone Rubber
LIFE: Greater Than 10 Million Cycles
TRAVEL: 0.055 in.
ACTUATION FORCE: 7.05 oz. +/- 1.06oz (200g +/- 30g)
FEEDBACK: Tactile with Mechanical Snap

POWER (Maximum)

PS2: KEYBOARD: 35mA@5V (from Keyboard port)

POINTER: 5mA@5V (from Mouse port)

*PS2 current ratings valid only when both keyboard and mouse are connected

USB: 40mA@5V (from USB port)

TEMPERATURE RANGE

STORAGE: -40°F to +158°F (-40°C to +70°C)

OPERATING: -4°F to +140°F (-20°C to +60°C)

HUMIDITY

100% Humidity Resistant

VIBRATION

POWER SPECTRAL DENSITY: .04g/HZ

FREQUENCY RANGE: 20Hz-2Khz

DURATION OF TEST PER AXIS: 3 hours

SHOCK

3 X 11 ms pulses of 50g on each of 3 axis

WEIGHT

12.50 lbs +/- 0.10 lbs (5.67 kg +/- 0.05 kg)