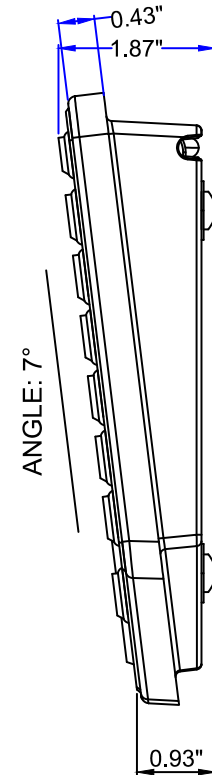
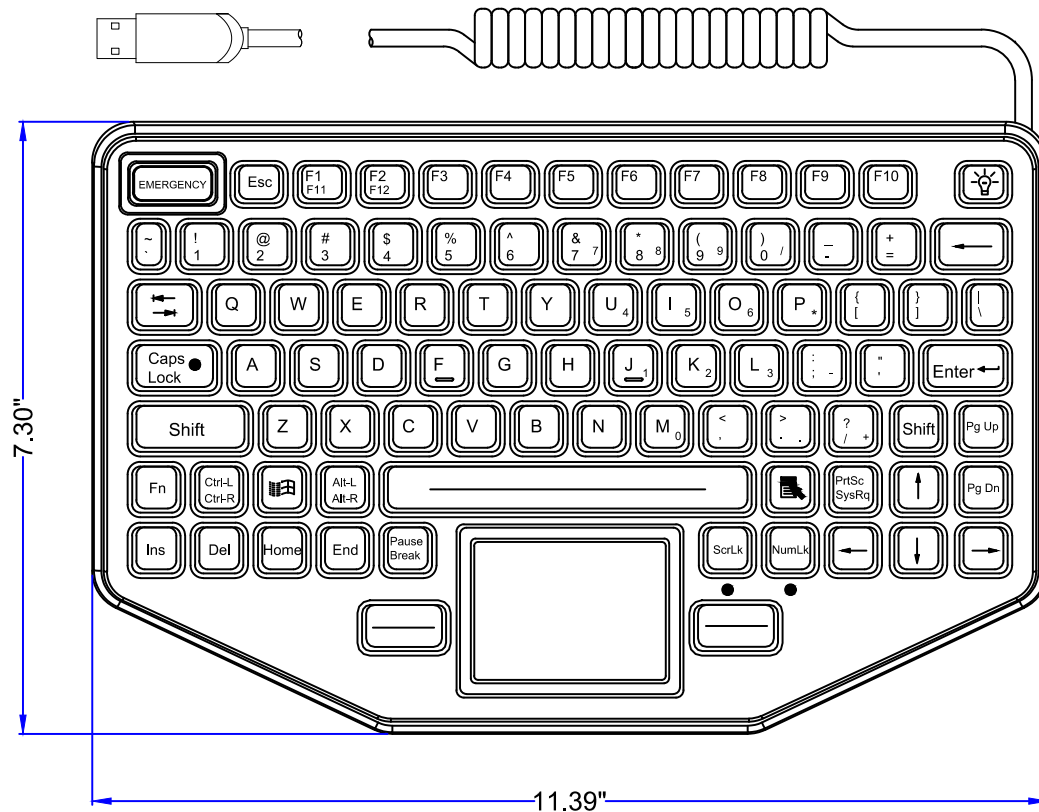


# 880-DP-TP-BL



## KEY SWITCH

MATERIAL: Industrial Silicone Rubber  
LIFE: Greater Than 10 Million Cycles  
TRAVEL: 0.055 in.  
ACTUATION FORCE: 7.05 oz. +/- 1.06oz (200g +/- 30g)  
FEEDBACK: Tactile with Mechanical Snap

## POWER

PS2:  
KEYBOARD: 200mA@5V (from Keyboard port)  
TOUCH PAD: 10mA@5V (from Mouse port)  
USB: 210mA@5V (from CPU port)

## TEMPERATURE RANGE

STORAGE: -40°F to +194°F (-40°C to +90°C)  
OPERATING: -40°F to +158°F (-40°C to +70°C)

## HUMIDITY

100% Humidity Resistant

## VIBRATION

POWER SPECTRAL DENSITY: .04g<sup>2</sup>/HZ  
FREQUENCY RANGE: 20Hz-2Khz  
DURATION OF TEST PER AXIS: 3 hours

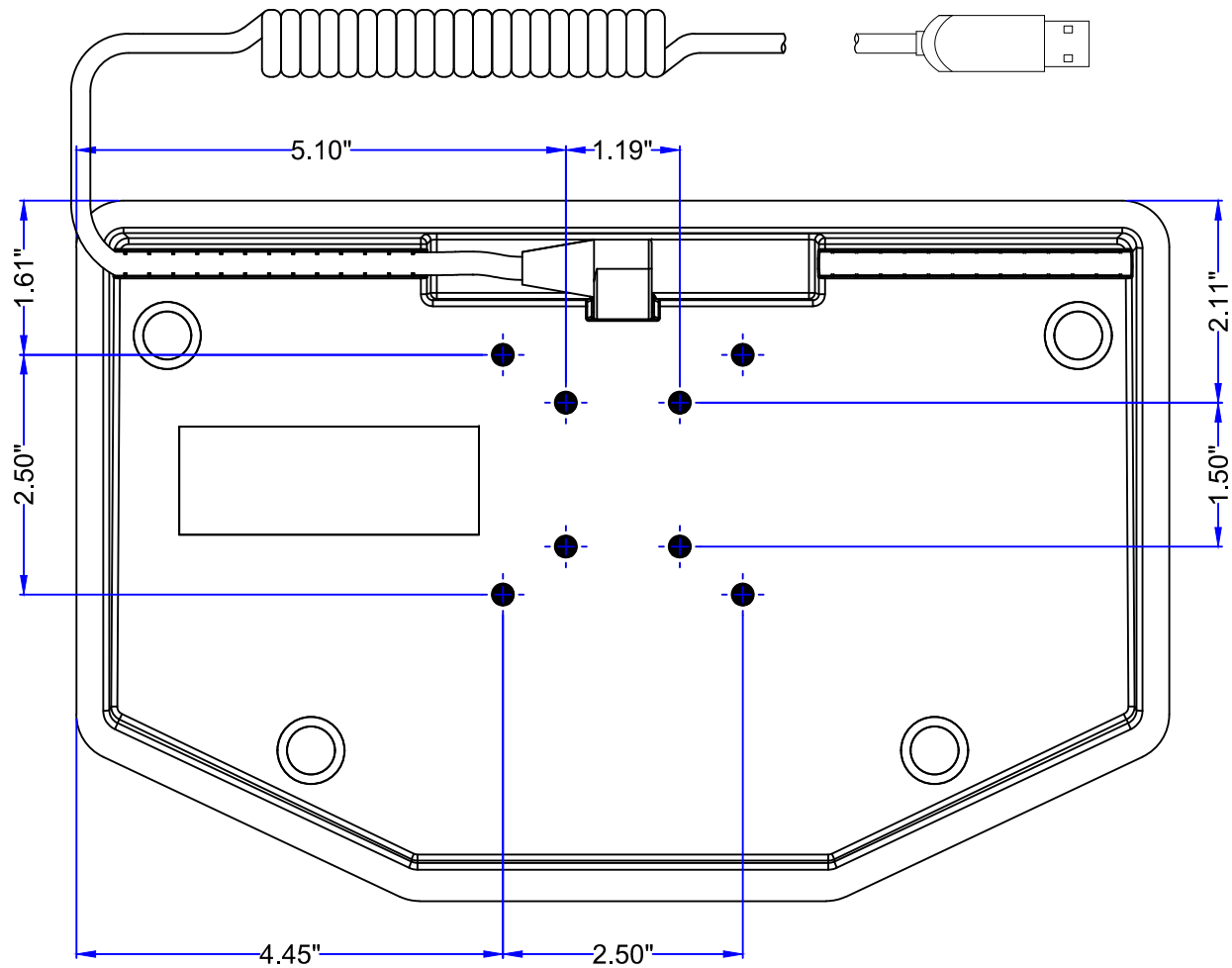
## SHOCK

3 X 11 ms pulses of 50g on each of 3 axes

## WEIGHT

2.25 lbs +/- 0.10 lbs (1.02 kg +/- 0.05 kg)

# 880-DP-TP-BL BACK / MOUNTING



ENCLOSURE CASE: ABS/Polycarbonate